

WARNING!

This product is designed for use with hot water up to 200°F. Take care to ensure that proper drain lines are installed in order to avoid purged hot water from burning yourself or others.

ATTENTION!

Le produit est conçu pour être utilisé avec de l'eau chaude à 93 °C. Assurez-vous que des tuyaux d'évacuation appropriés sont installés pour prévenir la fuite d'eau chaude ça fait mal vous ou d'autres.

PRECAUCIÓN!

El producto está diseñado para ser utilizado con agua caliente, hasta 93°C. Asegúrese que líneas de drenaje apropiadas estén instaladas para evitar que el agua caliente de purga lo hiera a usted o a otros.

Maximum Pressure 150 PSI @ 73°F

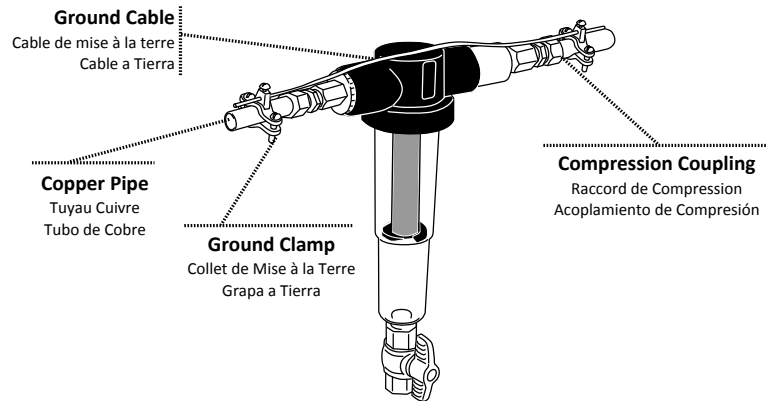
Pression Maximum 10.3 BAR @ 23C
Presión Máxima 10.3 BAR @ 23C

Maximum Temperature 200°F @ 40 PSI

Température Maximum 93C @ 2.7 BAR
Temperatura Máxima 93C @ 2.7 BAR

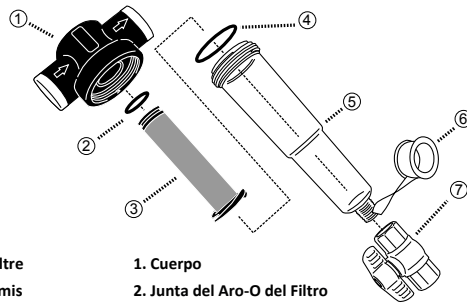
INSTALLATION FOR COPPER PIPE

INSTALLATION POUR TUYAU CUIVRE
INSTALACIÓN DEL TUBO DE COBRE



FILTER PARTS

PIECES DU FILTRE
PIEZAS DEL FILTRO



1. Body
2. Element O-ring
3. Element
4. Cover O-ring
5. Cover
6. Teflon™ Tape
7. Purge Valve

1. Corps du Filtre
 2. Joint du Tamis
 3. Tamis
 4. Joint du Boitier
 5. Boitier
 6. Teflon™ en Ruban
 7. Soupape du Vindange
1. Cuerpo
 2. Junta del Aro-O del Filtro
 3. Filtro
 4. Aro-O de la Cubierta
 5. Cubierta
 6. Cinta de Teflon™
 7. Válvula de drenaje

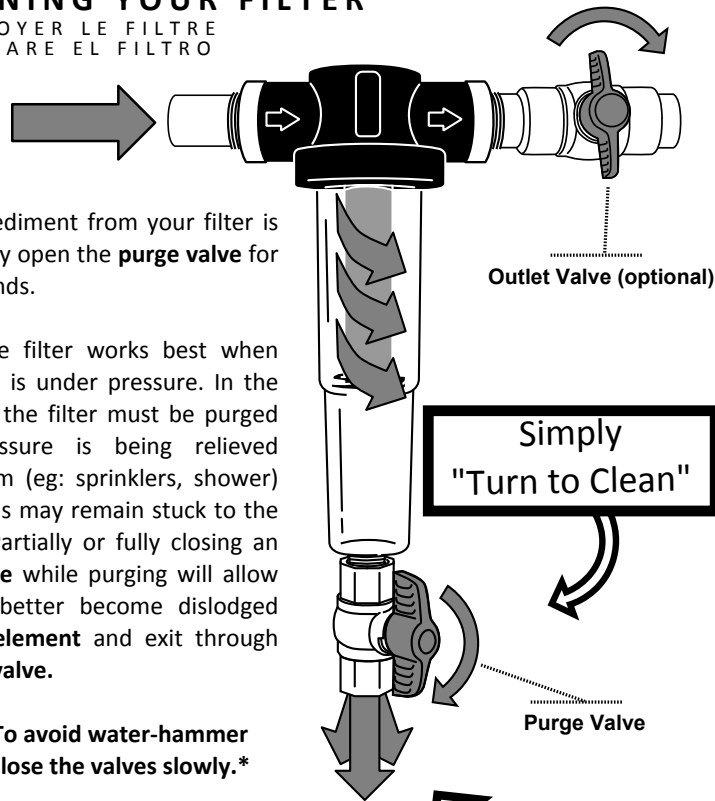
CLEANING YOUR FILTER

NETTOYER LE FILTRE
LIMPIARE EL FILTRO

Cleaning sediment from your filter is easy. Simply open the **purge valve** for a few seconds.

Purging the filter works best when the system is under pressure. In the event that the filter must be purged when pressure is being relieved downstream (eg: sprinklers, shower) some debris may remain stuck to the **element**. Partially or fully closing an **outlet valve** while purging will allow debris to better become dislodged from the **element** and exit through the **purge valve**.

Note: To avoid water-hammer always close the valves slowly.



Ensure proper drain lines are installed. Purged water may be hot.

ELEMENT MESH/ MICRON CONVERSION

Screen Sizes - Stainless Steel		
Mesh	Microns	Opening
30	533	.021"
60	254	.010"
100	152	.006"
140	104	.004"
200	74	.0029"

CONVERSION DES MESH CONVERSIÓN DE MALLA

Grosseur du Tamis - Acier Inoxydable Tamaño del Filtro - Acero Inoxidable		
Mesh	Microns	Ouverture Apertura
30	533	.533mm
60	254	.254mm
100	152	.152mm
140	104	.102mm
200	74	.073mm

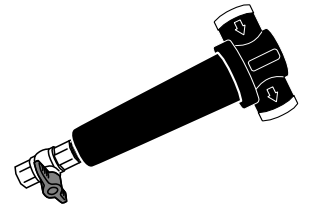
RECOMMENDED FILTER SIZES

- 1.5" Filter: 18-100 GPM
4000-23000 LPH
- 1.25" Filter: 10-50 GPM
2200-12000 LPH
- .75" Filter: 1-25 GPM
200-5700 LPH

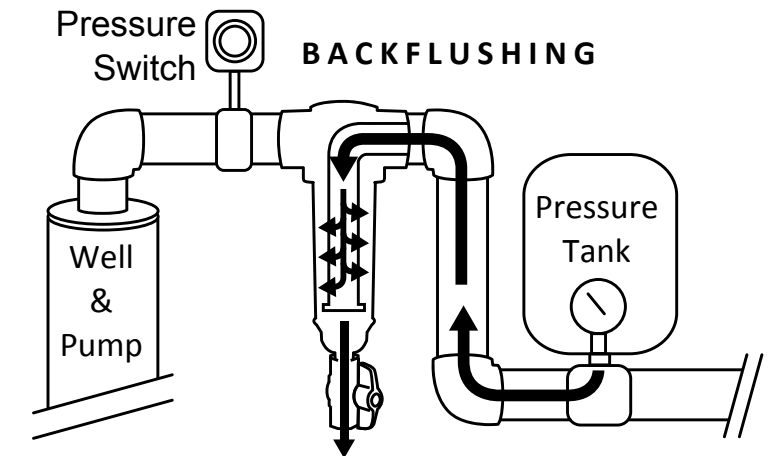
It is highly recommended to choose the filter that best matches the flow rate for your application. This will help ensure SpinDown™ action.

SUN SHIELD™

Sunny installation giving you algae problems? The SunShield™ is designed to wrap around the clear cover to help prevent algae growth inside the housing.



BACKFLUSHING



Install your SpinDown™ Filter before your pressure tank (and after the pressure switch) to enable clean water backflushing. Open the **purge valve** and water from the pressure tank will purge the filter from the inside-out.

ALWAYS INSTALL FILTER AFTER PRESSURE SWITCH

Install in Series for Step Down Filtration

SpinDown™ filters are great prefilters. Install one or more before a cartridge filter to increase the lifespan of the cartridges.

